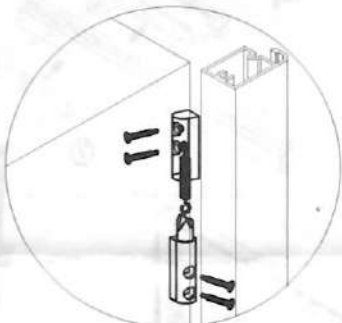
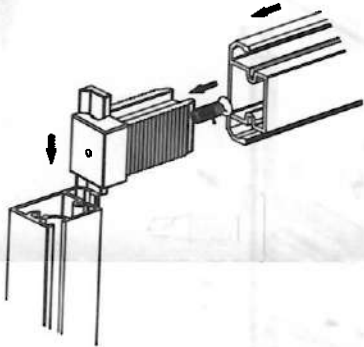
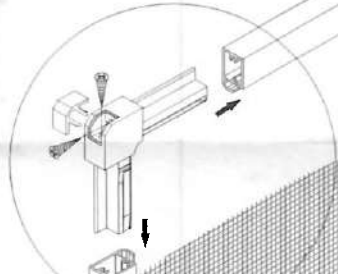
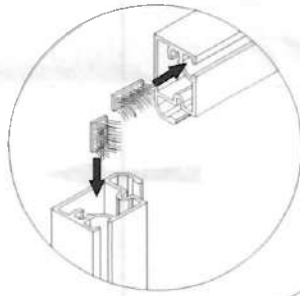
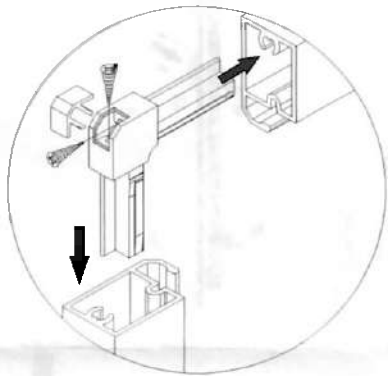
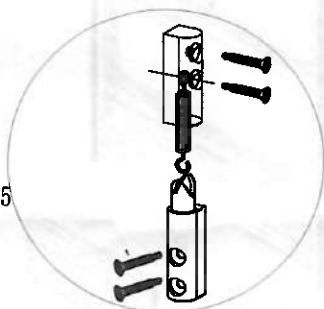


# STOPINSECT

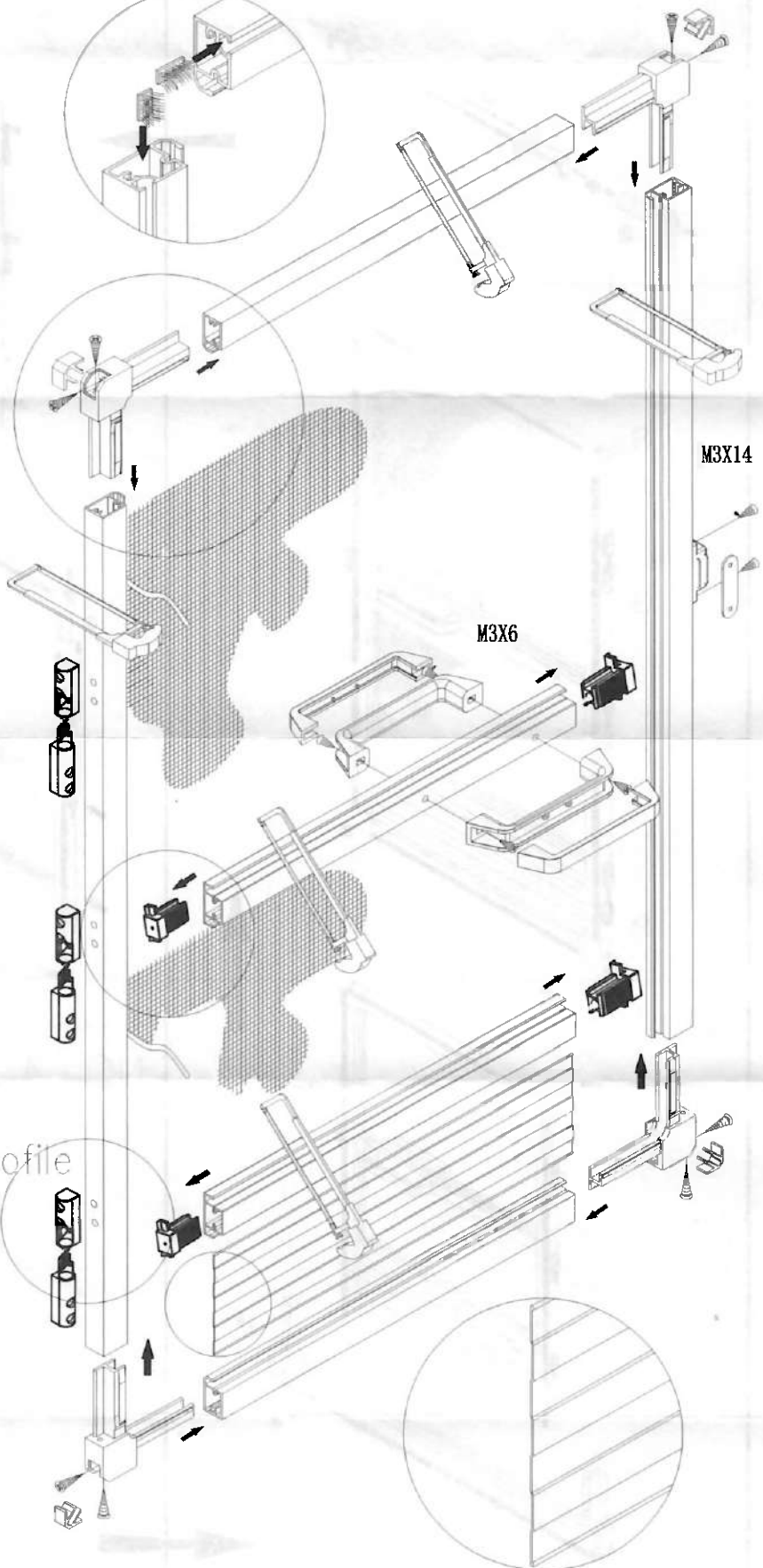


Hinge for the left profile



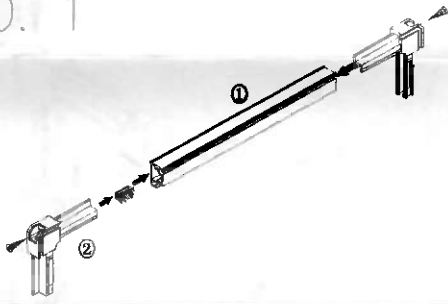
M4X25

Hinge for the right profile

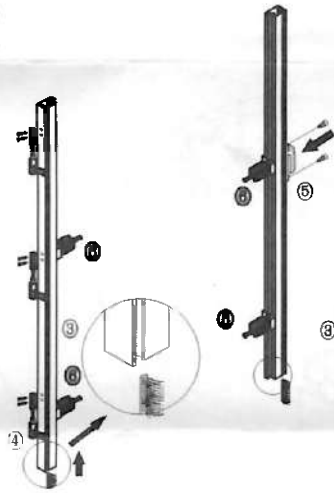


# STOPINSECT

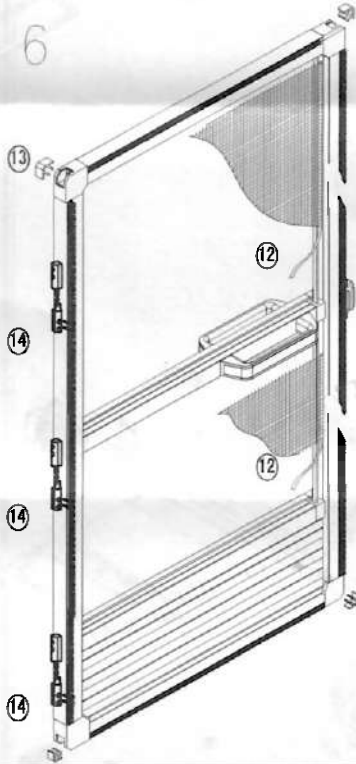
NO. 1



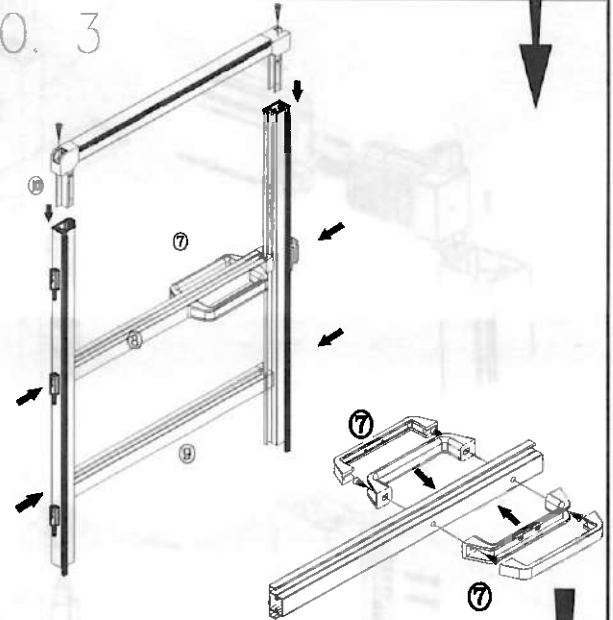
NO. 2



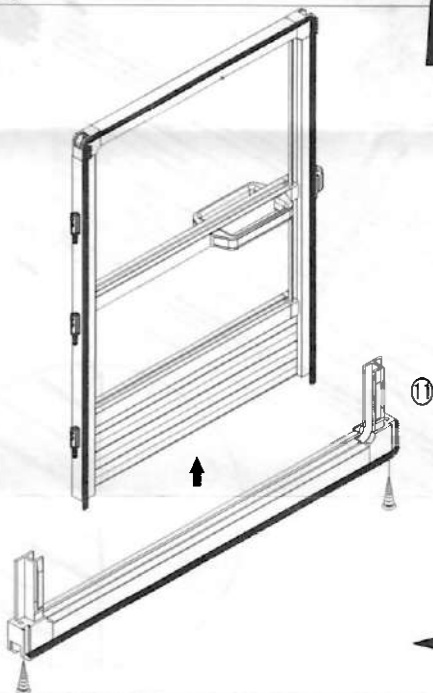
NO. 6



NO. 3



NO. 5



NO. 4

